



Volkamann
17 cm - 6 3/4"



○ 12-167-14
Fig. 0000
2.5 mm

○ 12-167-14
Fig. 000
3.6 mm

○ 12-167-14
Fig. 00
4.4 mm

○ 12-167-14
Fig. 0
5.2 mm

○ 12-167-14
Fig. 1
6.8 mm

○ 12-167-14
Fig. 2
8.5 mm

○ 12-167-14
Fig. 3
10 mm

○ 12-167-14
Fig. 4
11.5 mm

○ 12-167-14
Fig. 5
13 mm

○ 12-167-14
Fig. 6
14.5 mm



Bruns
23 cm - 9"



○ 12-167-14 12-167-14 12-167-14 Fig. 000
3.3 mm 3.3 mm 3.3 mm

○ 12-167-14 12-167-14 12-167-14 Fig. 00
3.9 mm 3.9 mm 3.9 mm

○ 12-167-14 12-167-14 12-167-14 Fig. 0
4.7 mm 4.7 mm 4.7 mm

○ 12-167-14 12-167-14 12-167-14 Fig. 1
5.3 mm 5.3 mm 5.3 mm

○ 12-167-14 12-167-14 12-167-14 Fig. 2
6 mm 6 mm 6 mm

○ 12-167-14 12-167-14 12-167-14 Fig. 3
7.2 mm 7.2 mm 7.2 mm

○ 12-167-14 12-167-14 12-167-14 Fig. 4
8.2 mm 8.2 mm 8.2 mm

○ 12-167-14 12-167-14 12-167-14 Fig. 5
9.8 mm 9.8 mm 9.8 mm

○ 12-167-14 12-167-14 12-167-14 Fig. 6
12 mm 12 mm 12 mm

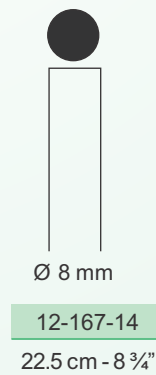
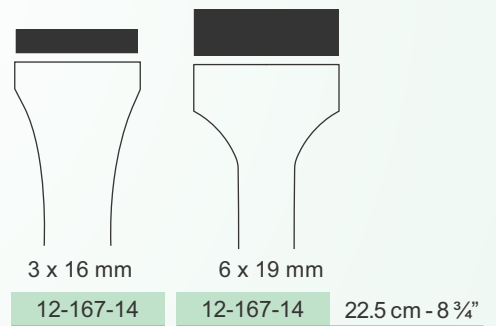
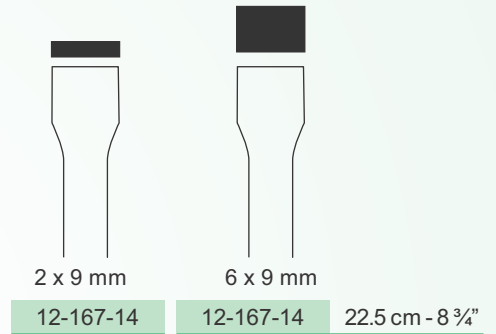
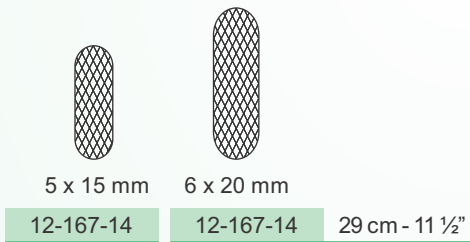
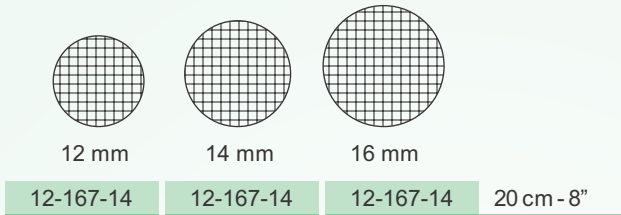
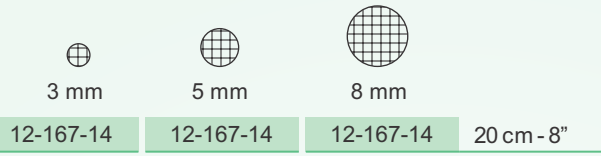
solid handle



Bruns
23 cm - 9"

	12-167-14	12-167-14	Fig. 000		12-167-14	Fig. 0000	2.5 mm
	12-167-14	12-167-14	Fig. 000		12-167-14	Fig. 000	3 mm
	12-167-14	12-167-14	Fig. 00		12-167-14	Fig. 00	4 mm
	12-167-14	12-167-14	Fig. 0		12-167-14	Fig. 0	4.5 mm
	12-167-14	12-167-14	Fig. 1		12-167-14	Fig. 1	5 mm
	12-167-14	12-167-14	Fig. 2		12-167-14	Fig. 2	6 mm
	12-167-14	12-167-14	Fig. 3		12-167-14	Fig. 3	7 mm
	12-167-14	12-167-14	Fig. 4		12-167-14	Fig. 4	8 mm
	12-167-14	12-167-14	Fig. 5		12-167-14	Fig. 5	9.5 mm
	12-167-14	12-167-14	Fig. 6		12-167-14	Fig. 6	11.5 mm

Spratt
17 cm - 6 3/4"





with Ring Handle



cutting upwards 90°

12-167-14
12-167-14
12-167-14
12-167-14
12-167-14
12-167-14



cutting upwards 40°

12-167-14
12-167-14
12-167-14
12-167-14
12-167-14
12-167-14



cutting downwards 90°

12-167-14	15 cm - 6"	3 mm
12-167-14	15 cm - 6"	5 mm
12-167-14	18 cm - 7"	3 mm
12-167-14	18 cm - 7"	5 mm
12-167-14	20 cm - 8"	3 mm
12-167-14	20 cm - 8"	5 mm

Shaft length Bite width



cutting
upwards 90°

12-167-14
12-167-14
12-167-14
12-167-14
12-167-14
12-167-14
12-167-14
12-167-14
12-167-14
12-167-14
12-167-14
12-167-14
12-167-14
12-167-14
12-167-14
12-167-14
12-167-14
12-167-14
12-167-14
12-167-14
12-167-14
12-167-14
12-167-14
12-167-14
12-167-14
12-167-14
12-167-14
12-167-14
12-167-14
12-167-14
12-167-14

cutting
upwards 40°

12-167-14
12-167-14
12-167-14
12-167-14
12-167-14
12-167-14
12-167-14
12-167-14
12-167-14
12-167-14
12-167-14
12-167-14
12-167-14
12-167-14
12-167-14
12-167-14
12-167-14
12-167-14
12-167-14
12-167-14
12-167-14
12-167-14
12-167-14
12-167-14
12-167-14
12-167-14
12-167-14
12-167-14
12-167-14
12-167-14
12-167-14
12-167-14

cutting
downwards 90°

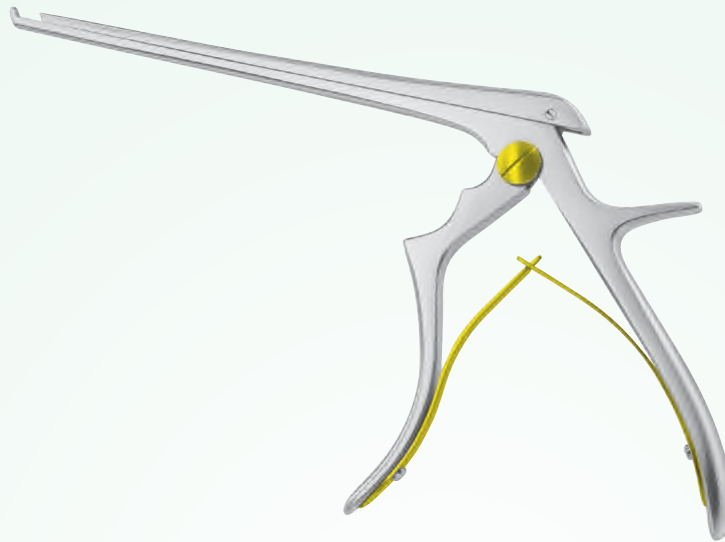
12-167-14
12-167-14
12-167-14
12-167-14
12-167-14
12-167-14
12-167-14
12-167-14
12-167-14
12-167-14
12-167-14
12-167-14
12-167-14
12-167-14
12-167-14
12-167-14
12-167-14
12-167-14
12-167-14
12-167-14
12-167-14
12-167-14
12-167-14
12-167-14
12-167-14
12-167-14
12-167-14
12-167-14
12-167-14
12-167-14

cutting
downwards 40°

15 cm - 6"	2 mm	
15 cm - 6"	3 mm	
15 cm - 6"	4 mm	
15 cm - 6"	5 mm	
12-167-14	18 cm - 7"	1 mm
12-167-14	18 cm - 7"	1 mm
12-167-14	18 cm - 7"	2 mm
12-167-14	18 cm - 7"	2 mm
12-167-14	18 cm - 7"	3 mm
12-167-14	18 cm - 7"	3 mm
12-167-14	18 cm - 7"	4 mm
12-167-14	18 cm - 7"	4 mm
12-167-14	18 cm - 7"	5 mm
12-167-14	18 cm - 7"	5 mm
12-167-14	18 cm - 7"	6 mm
20 cm - 8"	1 mm	
20 cm - 8"	1 mm	
20 cm - 8"	2 mm	
20 cm - 8"	2 mm	
20 cm - 8"	3 mm	
20 cm - 8"	3 mm	
20 cm - 8"	4 mm	
20 cm - 8"	4 mm	
20 cm - 8"	5 mm	
20 cm - 8"	5 mm	
20 cm - 8"	6 mm	
23 cm - 9"	2 mm	
23 cm - 9"	3 mm	
23 cm - 9"	4 mm	
23 cm - 9"	5 mm	
28 cm - 11"	2 mm	
28 cm - 11"	3 mm	
28 cm - 11"	4 mm	
28 cm - 11"	5 mm	

Shaft length Bite width

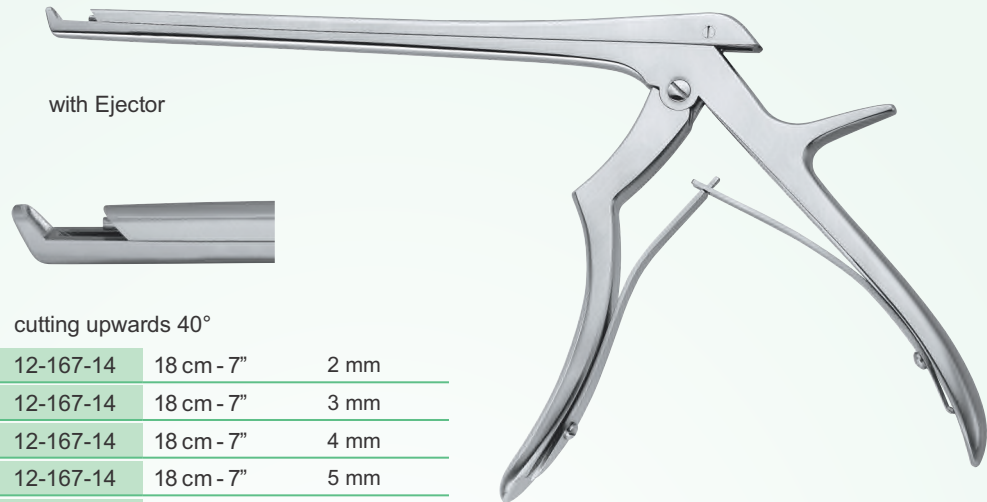
Thin Foot



Thin foot plate

cutting upwards 90°	cutting upwards 40°	cutting downwards 90°	cutting downwards 40°		
12-167-14	12-167-14	12-167-14	15 cm - 6"	2 mm	
12-167-14	12-167-14	12-167-14	15 cm - 6"	3 mm	
12-167-14	12-167-14	12-167-14	15 cm - 6"	4 mm	
12-167-14	12-167-14	12-167-14	15 cm - 6"	5 mm	
12-167-14	12-167-14	12-167-14	12-167-14	18 cm - 7"	1 mm
12-167-14	12-167-14	12-167-14	12-167-14	18 cm - 7"	2 mm
12-167-14	12-167-14	12-167-14	12-167-14	18 cm - 7"	3 mm
12-167-14	12-167-14	12-167-14	12-167-14	18 cm - 7"	4 mm
12-167-14	12-167-14	12-167-14	12-167-14	18 cm - 7"	5 mm
12-167-14	12-167-14	12-167-14		20 cm - 8"	2 mm
12-167-14	12-167-14	12-167-14		20 cm - 8"	3 mm
12-167-14	12-167-14	12-167-14		20 cm - 8"	4 mm
12-167-14	12-167-14	12-167-14		20 cm - 8"	5 mm
12-167-14	12-167-14			23 cm - 9"	2 mm
12-167-14	12-167-14			23 cm - 9"	3 mm
12-167-14	12-167-14			23 cm - 9"	4 mm
12-167-14	12-167-14			23 cm - 9"	5 mm
			Shaft length	Bite width	

with Ejector



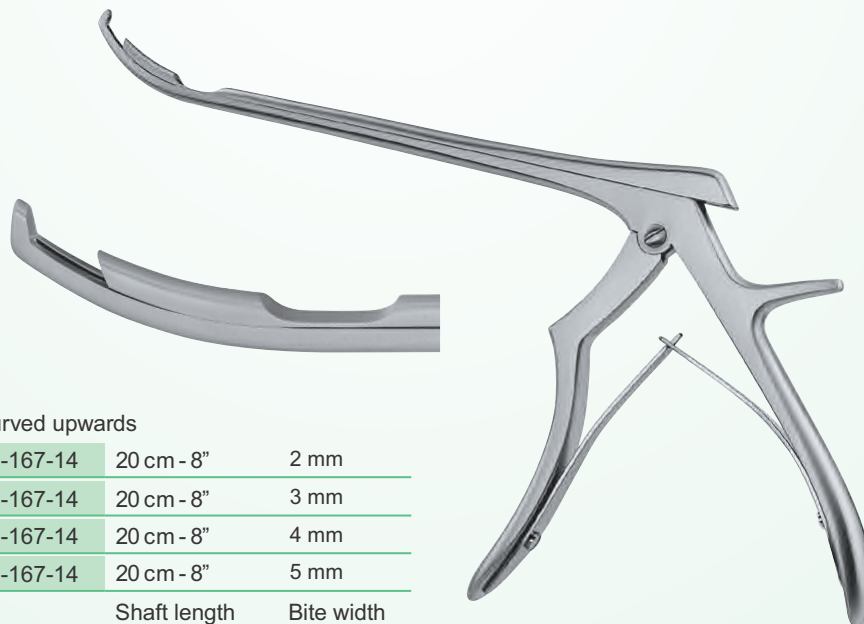
with Ejector

cutting upwards 40°

12-167-14	18 cm - 7"	2 mm
12-167-14	18 cm - 7"	3 mm
12-167-14	18 cm - 7"	4 mm
12-167-14	18 cm - 7"	5 mm
12-167-14	18 cm - 7"	6 mm
12-167-14	20 cm - 8"	2 mm
12-167-14	20 cm - 8"	3 mm
12-167-14	20 cm - 8"	4 mm
12-167-14	20 cm - 8"	5 mm
12-167-14	20 cm - 8"	6 mm

Shaft length Bite width

Foramenotomy Punches



curved upwards

12-167-14	20 cm - 8"	2 mm
12-167-14	20 cm - 8"	3 mm
12-167-14	20 cm - 8"	4 mm
12-167-14	20 cm - 8"	5 mm

Shaft length Bite width

Medium Handle



cutting upwards 90°

12-167-14
12-167-14
12-167-14
12-167-14
12-167-14
12-167-14
12-167-14
12-167-14
12-167-14
12-167-14
12-167-14
12-167-14
12-167-14
12-167-14
12-167-14

cutting upwards 40°

	15 cm - 6"	1 mm
12-167-14	15 cm - 6"	2 mm
12-167-14	15 cm - 6"	3 mm
12-167-14	15 cm - 6"	4 mm
12-167-14	15 cm - 6"	5 mm
	15 cm - 6"	6 mm
12-167-14	18 cm - 7"	1 mm
12-167-14	18 cm - 7"	2 mm
12-167-14	18 cm - 7"	3 mm
12-167-14	18 cm - 7"	4 mm
12-167-14	18 cm - 7"	5 mm
12-167-14	18 cm - 7"	6 mm
12-167-14	20 cm - 8"	1 mm
12-167-14	20 cm - 8"	2 mm
12-167-14	20 cm - 8"	3 mm
12-167-14	20 cm - 8"	4 mm
12-167-14	20 cm - 8"	5 mm
12-167-14	20 cm - 8"	6 mm

Shaft length Bite width



Large Handle



cutting
upwards 90°

12-167-14
12-167-14
12-167-14
12-167-14
12-167-14
12-167-14
12-167-14
12-167-14
12-167-14
12-167-14
12-167-14



cutting
upwards 40°

12-167-14
12-167-14
12-167-14
12-167-14
12-167-14
12-167-14
12-167-14
12-167-14
12-167-14
12-167-14
12-167-14



cutting
downwards 90°

12-167-14
12-167-14
12-167-14
12-167-14
12-167-14
12-167-14
12-167-14
12-167-14
12-167-14
12-167-14
12-167-14



cutting
downwards 40°

	15 cm - 6"	3 mm
	15 cm - 6"	4 mm
	15 cm - 6"	5 mm
12-167-14	18 cm - 7"	2 mm
12-167-14	18 cm - 7"	3 mm
12-167-14	18 cm - 7"	4 mm
12-167-14	18 cm - 7"	5 mm
12-167-14	18 cm - 7"	6 mm
	20 cm - 8"	3 mm
	20 cm - 8"	4 mm
	20 cm - 8"	5 mm

Shaft length Bite width

Large Handle



cutting
upwards 90°

12-167-14
12-167-14
12-167-14
12-167-14
12-167-14
12-167-14
12-167-14
12-167-14
12-167-14
12-167-14
12-167-14
12-167-14
12-167-14
12-167-14



cutting
upwards 40°

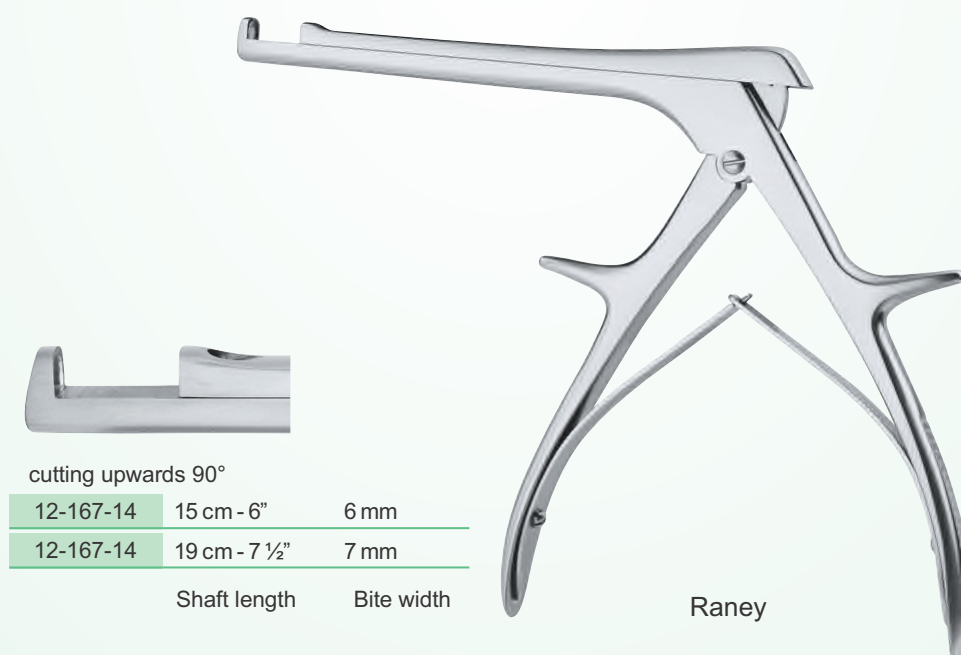
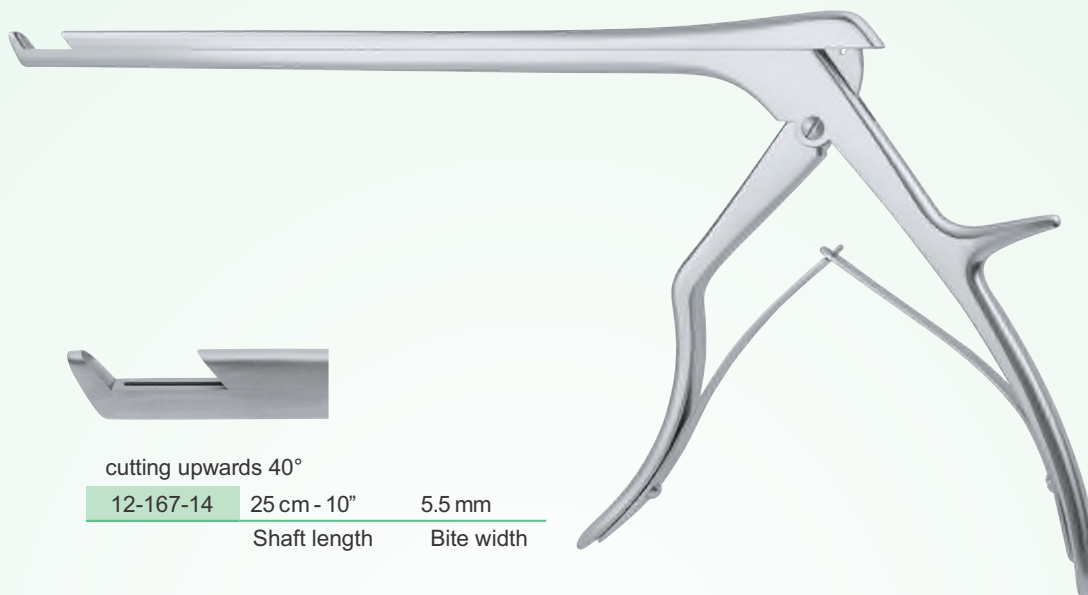
12-167-14
12-167-14
12-167-14
12-167-14
12-167-14
12-167-14
12-167-14
12-167-14
12-167-14
12-167-14
12-167-14
12-167-14
12-167-14
12-167-14



cutting
downwards 90°

12-167-14	15 cm - 6"	3 mm
12-167-14	15 cm - 6"	5 mm
12-167-14	18 cm - 7"	2 mm
12-167-14	18 cm - 7"	3 mm
12-167-14	18 cm - 7"	4 mm
12-167-14	18 cm - 7"	5 mm
12-167-14	18 cm - 7"	6 mm
12-167-14	20 cm - 8"	3 mm
	20 cm - 8"	4 mm
12-167-14	20 cm - 8"	5 mm
	20 cm - 8"	6 mm

Shaft length Bite width





cutting upwards 90°

12-167-14	1 mm
12-167-14	2 mm
12-167-14	3 mm

Bite width



Citelli



cutting upwards 90°

12-167-14	1 mm
-----------	------

Bite width



Citelli-Beyer



cutting upwards 90°

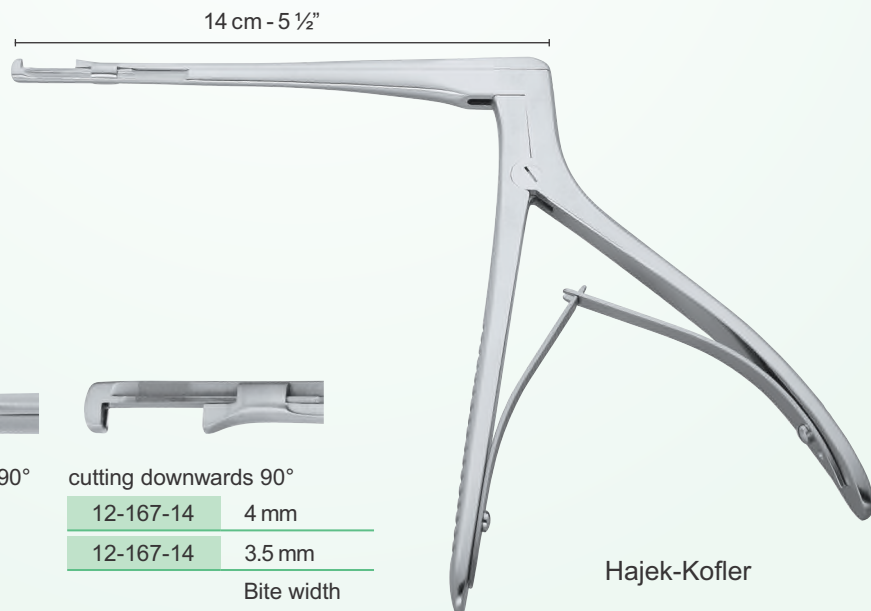
12-167-14	
12-167-14	



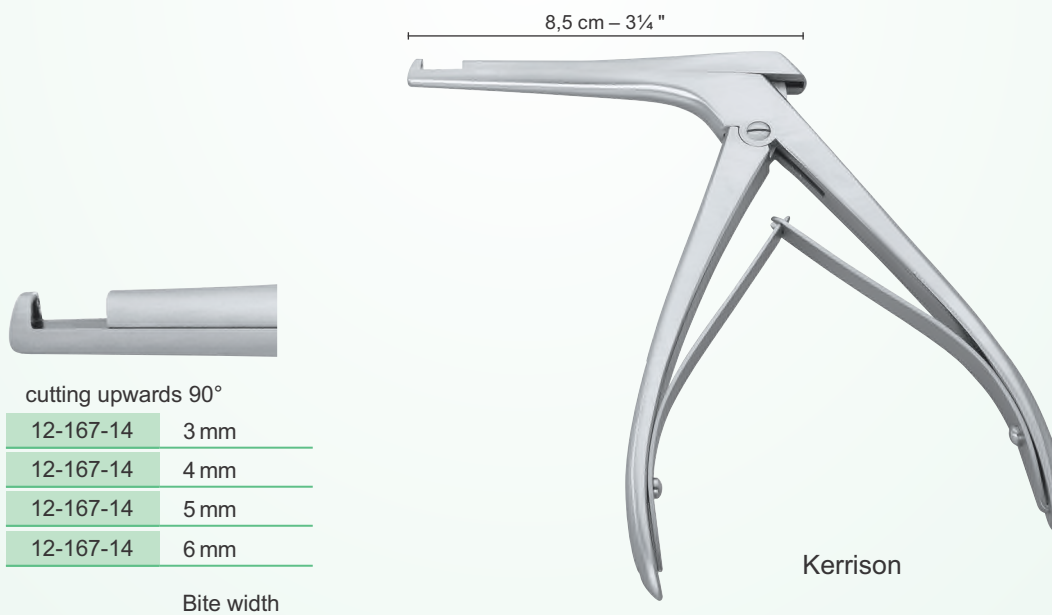
cutting downwards 90°

12-167-14	4 mm
12-167-14	3.5 mm

Bite width



Hajek-Kofler





straight



curved up

curved down

Cushing



12-167-14	12-167-14	12-167-14	13 cm - 5"	2 mm
12-167-14	12-167-14	12-167-14	15 cm - 6"	2 mm
12-167-14	12-167-14	12-167-14	17.5 cm - 7"	2 mm

Love-Grunwalad



12-167-14	12-167-14	12-167-14	13 cm - 5"	3 mm
12-167-14	12-167-14	12-167-14	15 cm - 6"	3 mm
12-167-14	12-167-14	12-167-14	17.5 cm - 7"	3 mm

Spurling



12-167-14	12-167-14	12-167-14	13 cm - 5"	4 mm
12-167-14	12-167-14	12-167-14	15 cm - 6"	4 mm
12-167-14	12-167-14	12-167-14	17.5 cm - 7"	4 mm

Cushing



12-167-14	12-167-14		13 cm - 5"	5 mm
-----------	-----------	--	------------	------

Cushing

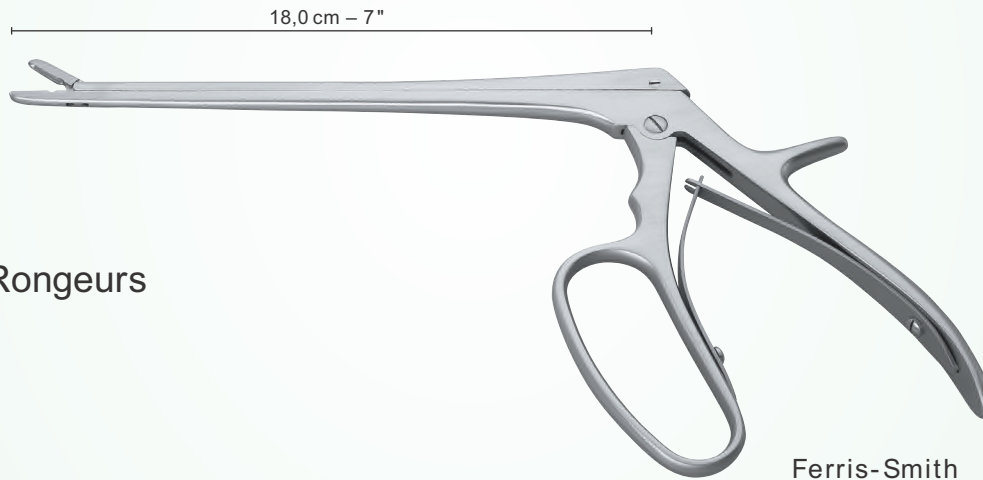


12-167-14	12-167-14		13 cm - 5"	6 mm
-----------	-----------	--	------------	------



12-167-14	2 x 3 mm
12-167-14	2 x 5 mm

Sclerostome



Rongeurs

Ferris-Smith

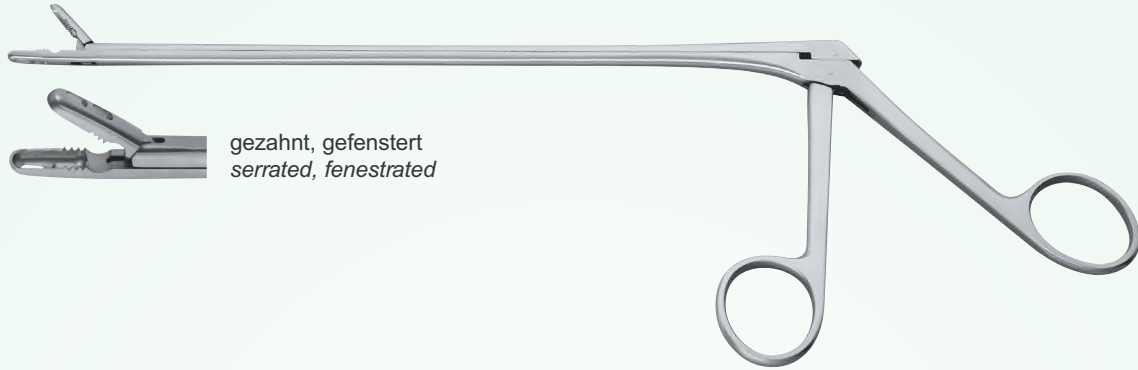


straight

curved up

curved down

	12-167-14	12-167-14	12-167-14	2 x 10 mm
	12-167-14	12-167-14	12-167-14	3 x 10 mm
	12-167-14	12-167-14	12-167-14	4 x 10 mm
	12-167-14	12-167-14	12-167-14	6 x 10 mm
	12-167-14	12-167-14	12-167-14	6 x 12 mm



gezahnt, gefenestert
serrated, fenestrated

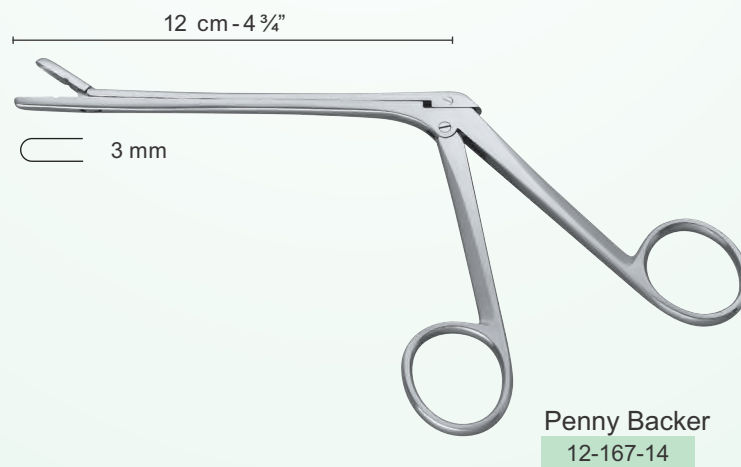
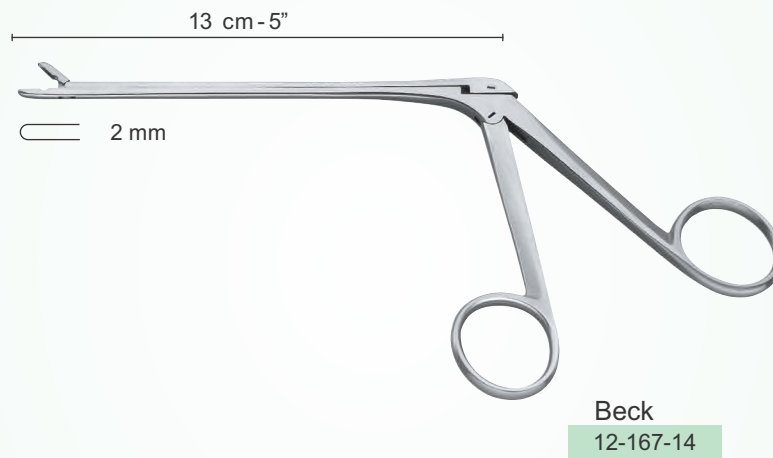
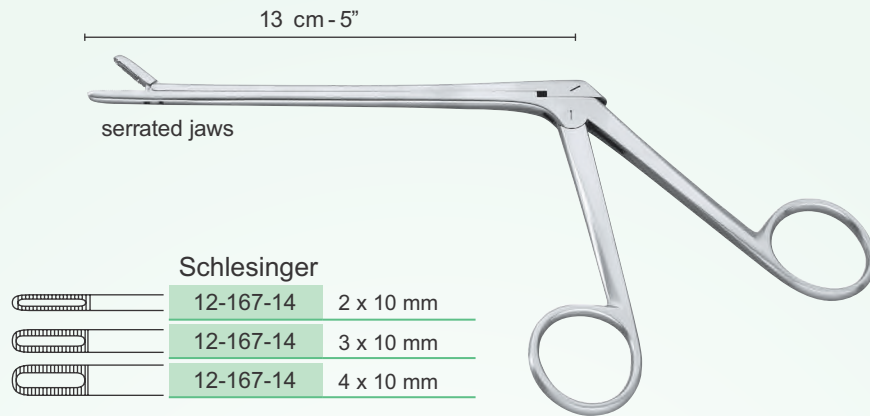


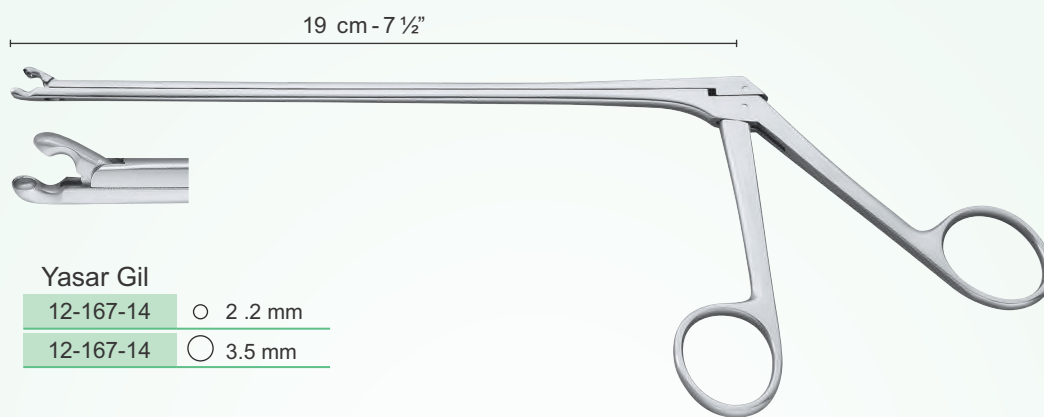
straight

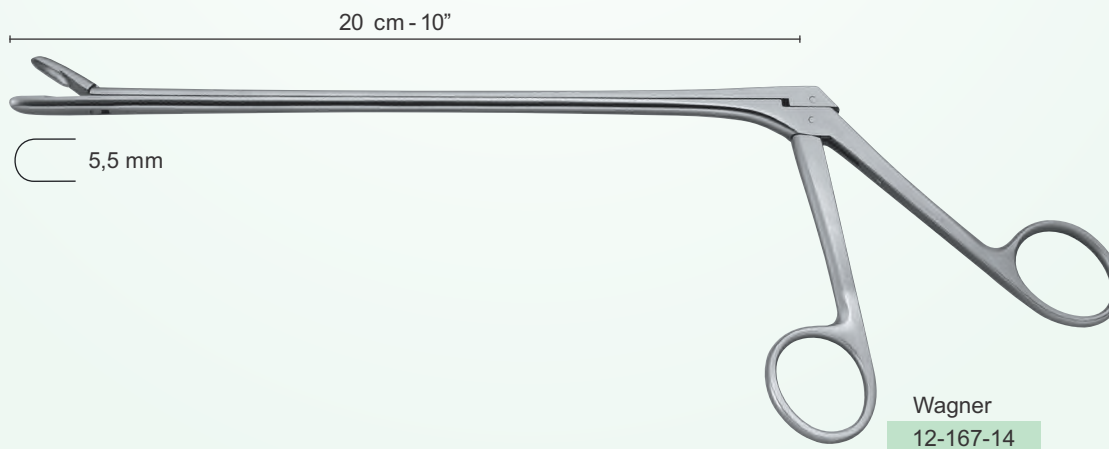
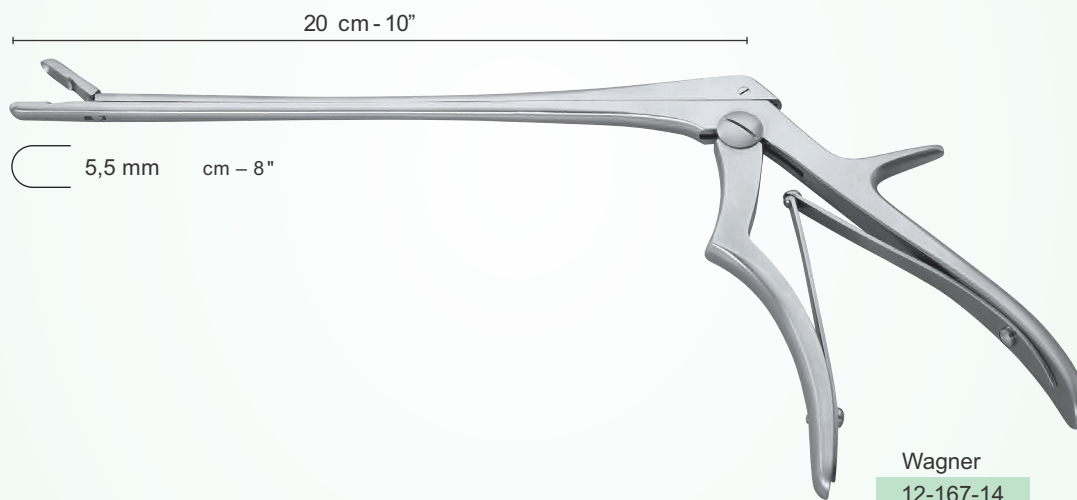
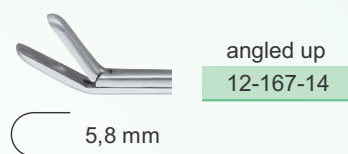
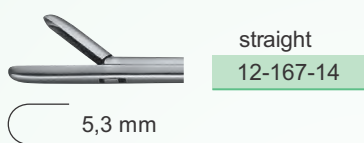
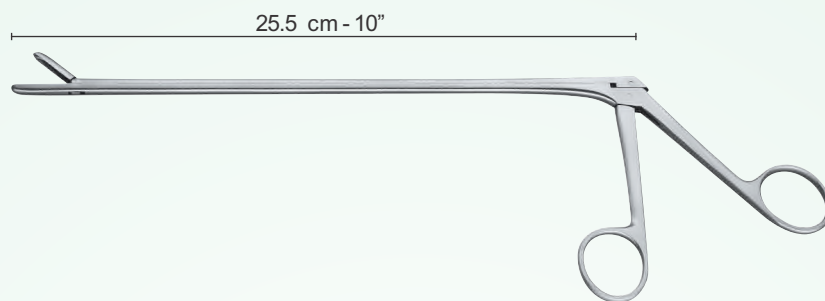
curved up

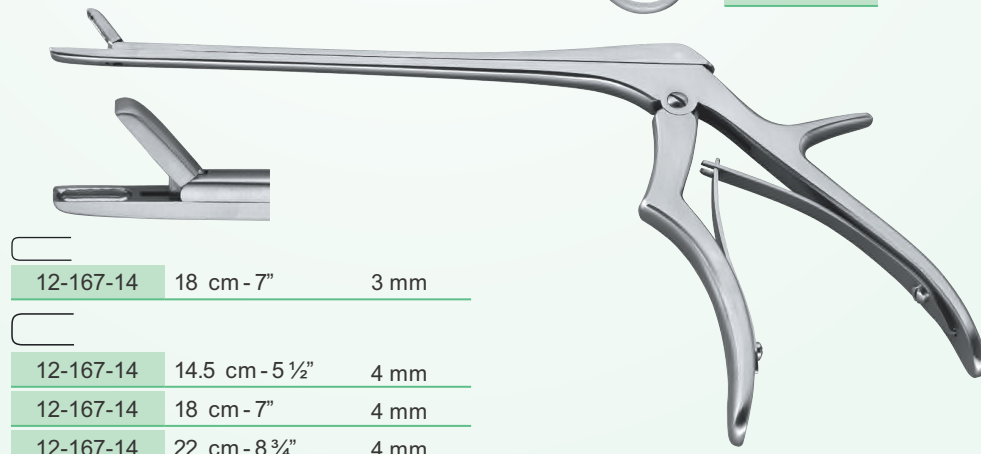
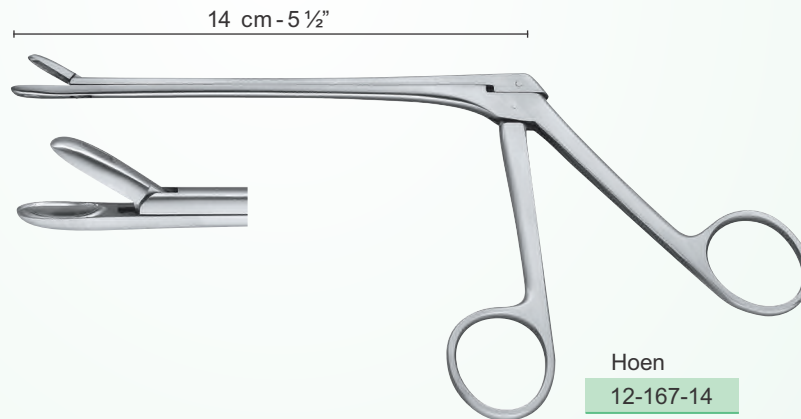
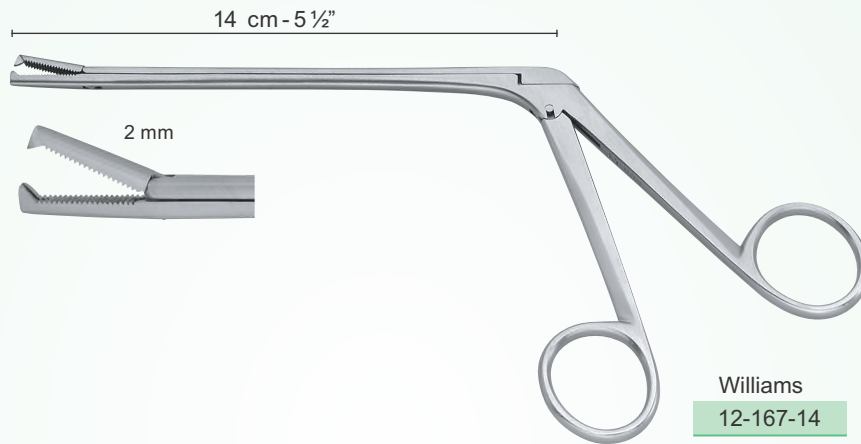
curved down

⌋	12-167-14	12-167-14	12-167-14	14 cm - 5 1/2"	2 x 12 mm
	12-167-14	12-167-14	12-167-14	16 cm - 6 1/4"	2 x 12 mm
	12-167-14	12-167-14	12-167-14	18 cm - 7"	2 x 12 mm
⌋	12-167-14	12-167-14	12-167-14	14 cm - 5 1/2"	3 x 12 mm
	12-167-14	12-167-14	12-167-14	16 cm - 6 1/4"	3 x 12 mm
	12-167-14	12-167-14	12-167-14	18 cm - 7"	3 x 12 mm
	12-167-14	12-167-14	12-167-14	22 cm - 8 3/4"	3 x 12 mm
⌋	12-167-14	12-167-14	12-167-14	14 cm - 5 1/2"	4 x 14 mm
	12-167-14	12-167-14	12-167-14	16 cm - 6 1/4"	4 x 14 mm
	12-167-14	12-167-14	12-167-14	18 cm - 7"	4 x 14 mm
	12-167-14	12-167-14	12-167-14	22 cm - 8 3/4"	4 x 14 mm
⌋	12-167-14	12-167-14	12-167-14	14 cm - 5 1/2"	6 x 14 mm
	12-167-14	12-167-14	12-167-14	16 cm - 6 1/4"	6 x 14 mm
	12-167-14	12-167-14	12-167-14	18 cm - 7"	6 x 14 mm
	12-167-14	12-167-14	12-167-14	22 cm - 8 3/4"	6 x 14 mm
⌋	12-167-14	12-167-14	12-167-14	14 cm - 5 1/2"	6 x 16 mm
	12-167-14	12-167-14	12-167-14	16 cm - 6 1/4"	6 x 16 mm
	12-167-14	12-167-14	12-167-14	18 cm - 7"	6 x 16 mm
	12-167-14	12-167-14	12-167-14	22 cm - 8 3/4"	6 x 16 mm

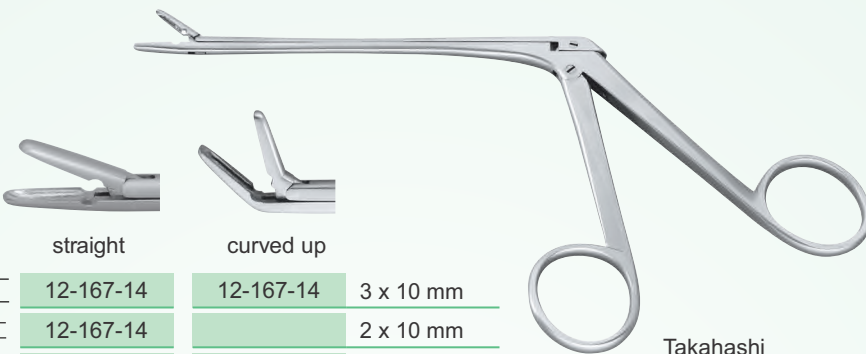




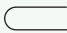
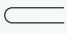
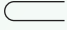




12 cm - 4 3/4"



straight curved up


	12-167-14	12-167-14	3 x 10 mm
	12-167-14		2 x 10 mm
	12-167-14		2.5 x 8 mm

Takahashi

12 cm - 4 3/4"



straight angled upwards

	12-167-14	12-167-14	2.5 mm
	12-167-14	12-167-14	3 mm
	12-167-14	12-167-14	3.5 mm
	12-167-14	12-167-14	4.5 mm
	12-167-14	12-167-14	5 mm
	12-167-14	12-167-14	6 mm

Weil-Blakeley